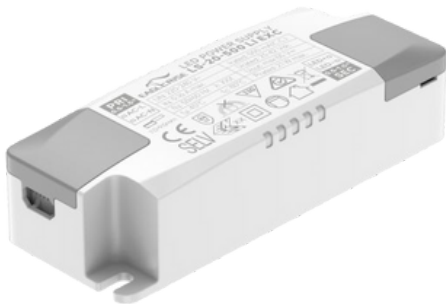


20W Constant Current power supply



Features

Class II, SELV, independent
Input Voltage 220-240VAC
Protections: SCP/OLP/OVP
Power Factor : 0.95
Efficiency : 85%
5 years warranty

Applications

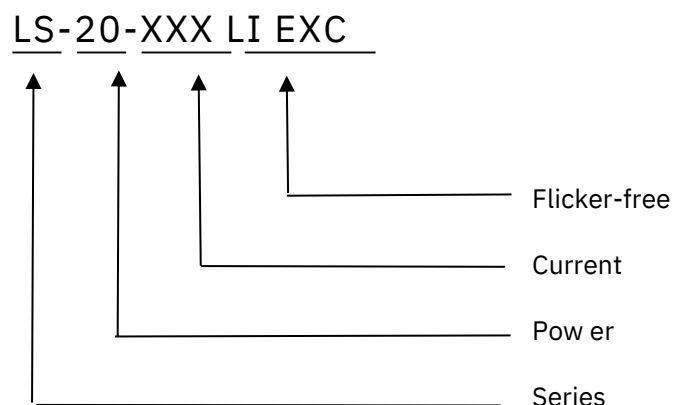
LED panel、LED down light
LED spot light



Description

LS-20-XXX LI EXC is a 20W constant current LED driver that operates from 198-264Vac input with 350mA to 700mA output current. With it's compact dimensions from 100 x 38.2 x 25mm it is easy to integrate in LED Panel, spot and down light products. To ensure trouble-free operation, protection is provided against output short circuit and over Load.

Model code



Specification

Output	Constant Current	350mA	400mA	450mA	700mA
	Voltage Range	40-60	24-42	24-42	18-30
	Unload voltage Max.	75	55		45
	Current Accuracy	±5%				
	Output HF current ripple(≥1KHz)	±5%				
	Output LF current ripple(≤120Hz)	±5%				
	SVM	≤0.4				
	Pst	≤1				
	Efficiency(Typ.)	85%				
Input	Rated input voltage	220-240VAC				
	Range of input voltage	198-264VAC				
	Frequency(Hz)	50/60Hz				
	Displacement factor	≥0.7				
	Power Factor	0.95				
	Input Current max	0.16A MAX				
	Start-up time	<0.5S				
	No Load Power	≤0.5W				
	THD(Typ.)	<20%				
Protection	Over Load Protection	103-120%				
		YES/Auto Resume				
	Over Voltage Protection	75VDC	55VDC	4 5VDC	
		YES/Auto Resume				
Environment	Short circuit Protection	YES/AutoResume				
	Operating Temperature	-20°C~+45°C				
	Humidity	20%-90%RH				
	Tc	80°C				
	Storage Temperature	-25°C~+60°C				
Surface	Lifetime	>50000h@Tc=70°C,230VAC				
Surface	Dimension	100X38.2X25(LXWXH)mm				
Standards	EN61347-1; EN61347-2-13;EN62384					
Others	ErP	EU2019/2020				
	RoHS	RoHS(2011/65/EU) (EU)2015/863				
Note	<p>1.All parameters NOT specially mentioned are measured at 230VAC input , full load and 25°C of ambient temperature.</p> <p>2.Ripple & Noise are measured at 20MHz of bandwidth by using a 300mm twisted pair-wire terminated with a 0.1uF & 47 uF parallel capacitor.</p>					

Model list

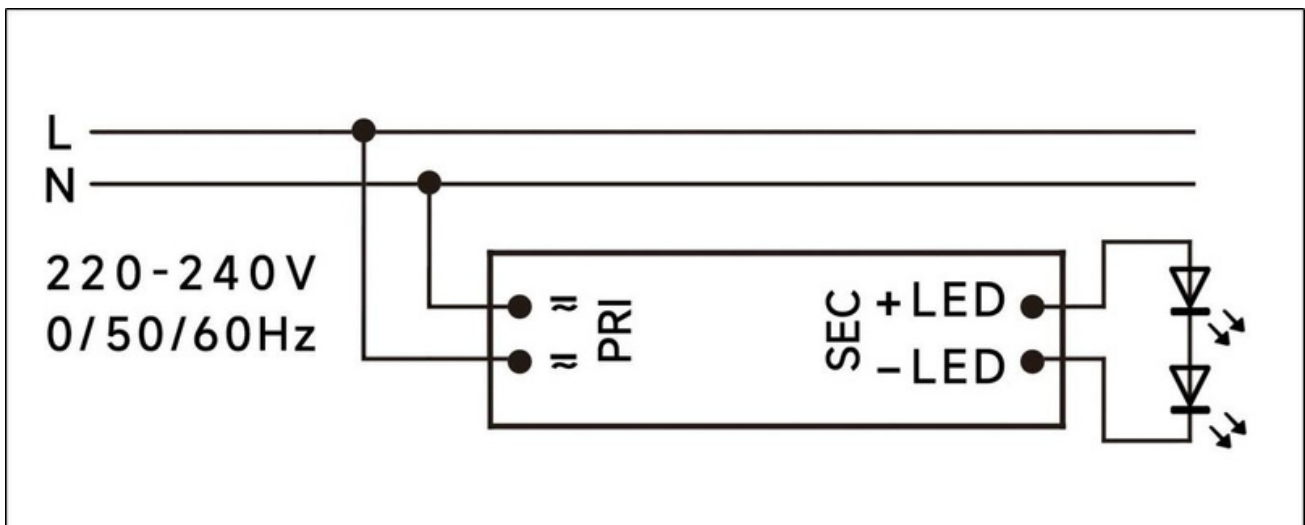
Number	Model number	Input			Output			
		Voltage (VAC)	Current (A)	Frequency (Hz)	Current (mA)	Voltage (VDC)	Voltage No load (VDC)	Power (W)
1	*LS-20-350 LI EXC	220-240	0.16	50/60	350	40-60	75	21
2	*LS-20-400 LI EXC				400	24-42	55	16.8
3	*LS-20-450 LI EXC				450	24-42	55	18.9
4	*LS-20-500 LI EXC				500	24-42	55	21
5	LS-20-550 LI EXC				550	24-40	55	22
6	*LS-20-600 LI EXC				600	24-40	55	24
*	*LS-20-700 LI EXC				700	18-30	45	21

7

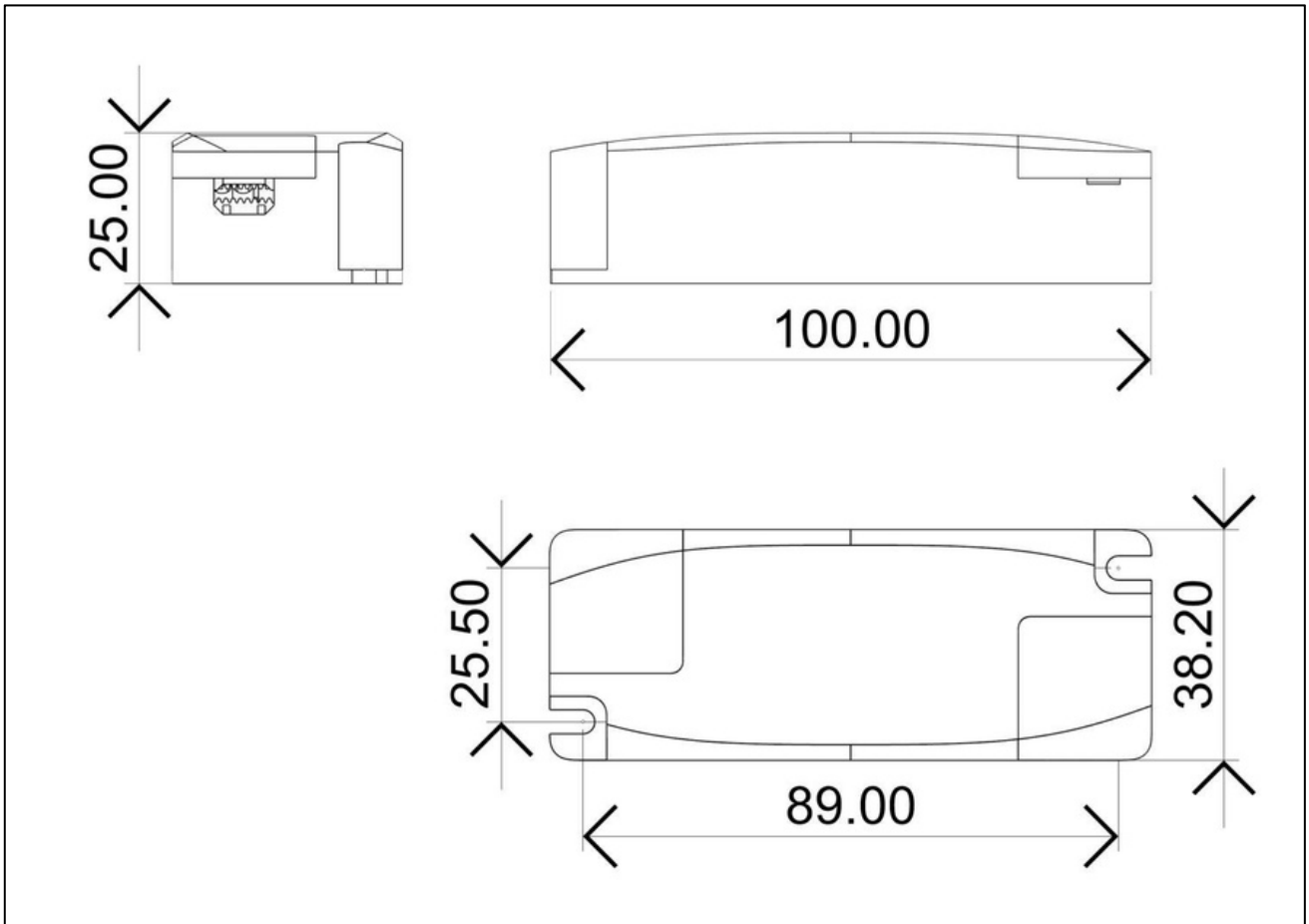
Circuit Breaker

Ipeak	Twidth	B10	B16	B20	C10	C16	C20
11.9A	134 μs	50pcs	80pcs	100pcs	50pcs	80pcs	100pcs

Wiring diagram



2D diagram

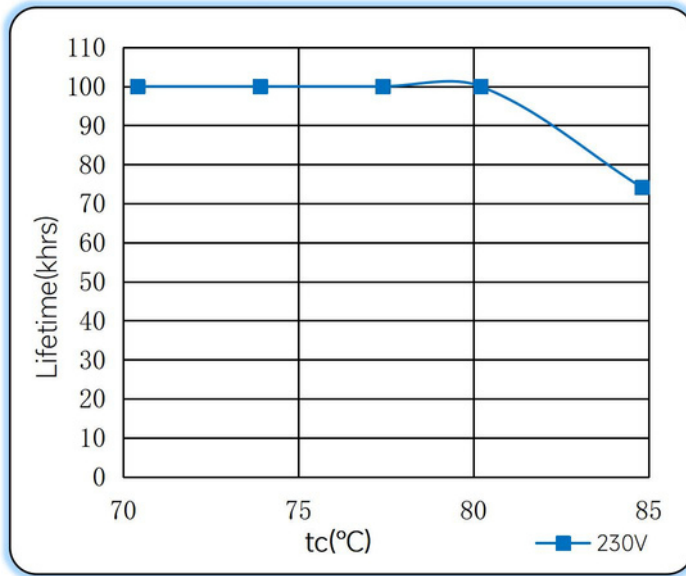


Wiring & Connections

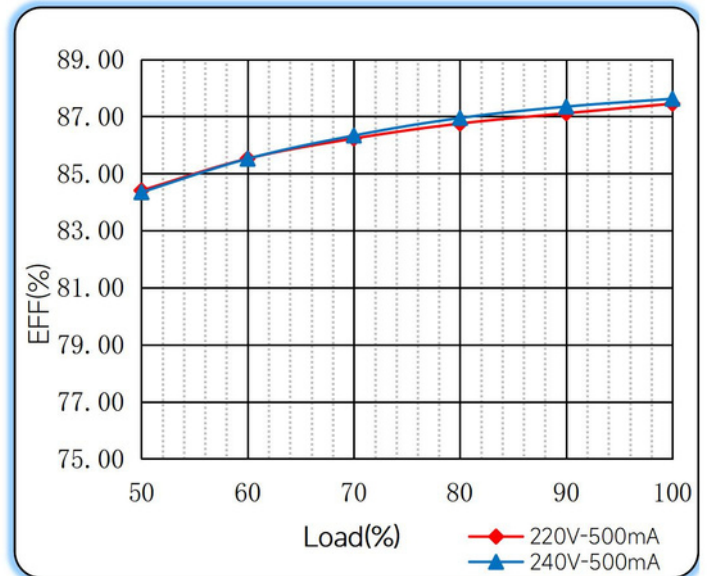
Specification item		Value (Unit)
Input	Input wire cross-section	0.5...1.5 mm ²
	Input wire gauge.	16...20 AWG
	Input wire strip length	7...9mm
Output	Output wire cross-section	0.5...1.5 mm ²
	Output wire gauge.	16...20 AWG
	Output wire strip length	7...9mm

Curve for LS-20-500 LI EXC, I_o=500mA

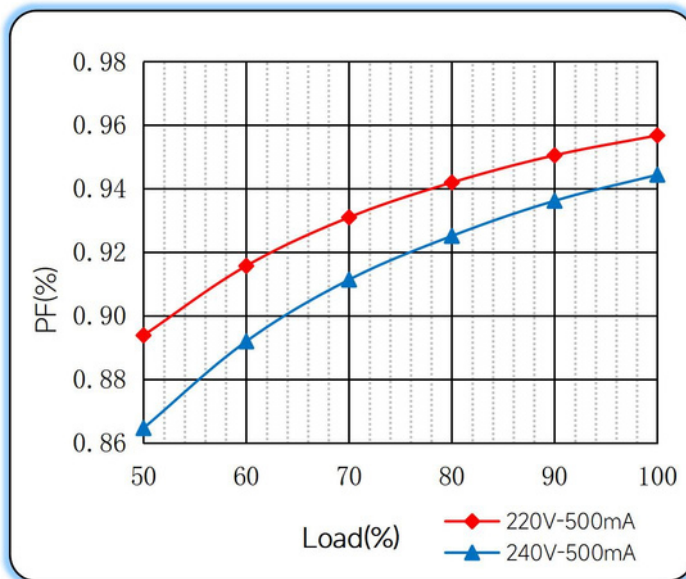
Lifetime vs. Temperature Curve



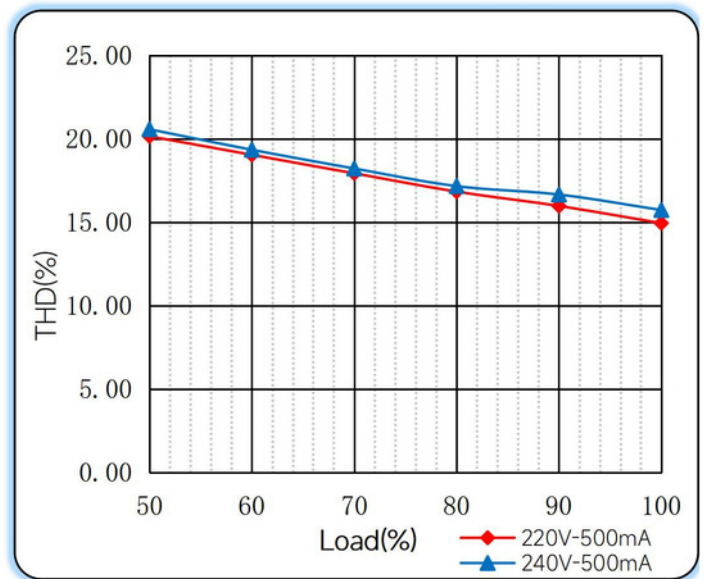
Efficiency vs. Load



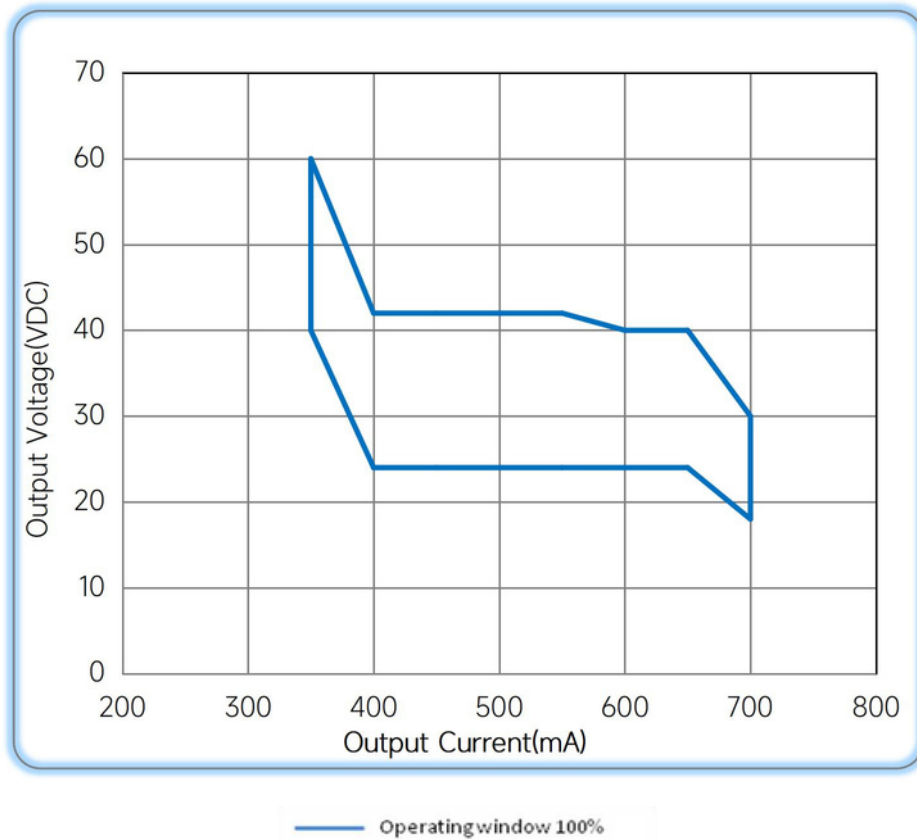
Power Factor Characteristics



THD vs. Load



Operating window




Revision Updates

ITEM	BEFORE	AFTER	VERSION	DATE
Initial			A	2022/08/08
Model list		Added	B	2022/11/18



Citi-el
LED up your business

 +7 (499) 647-80-74

 zakaz@citi-el.ru

 www.citi-el.ru